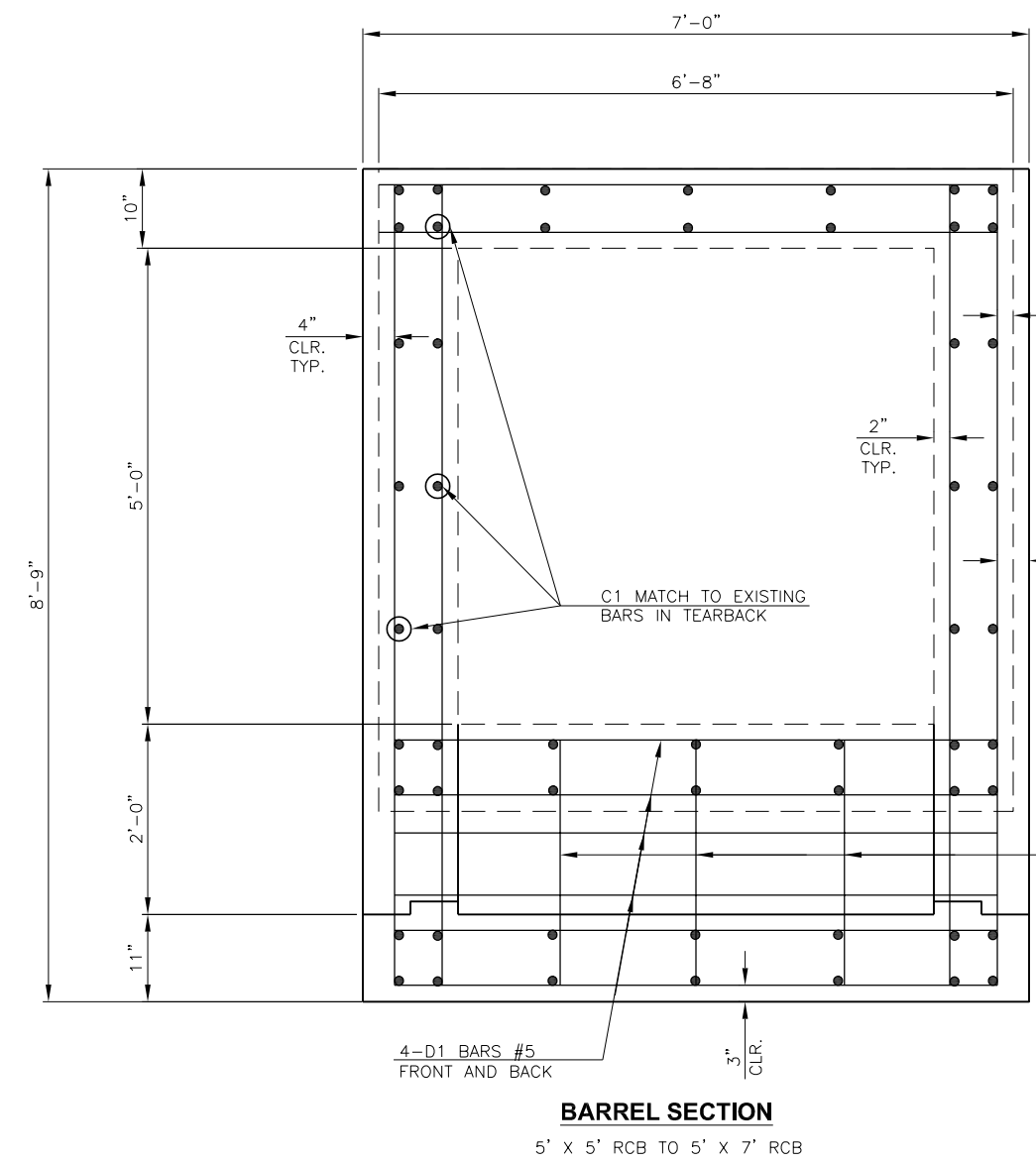


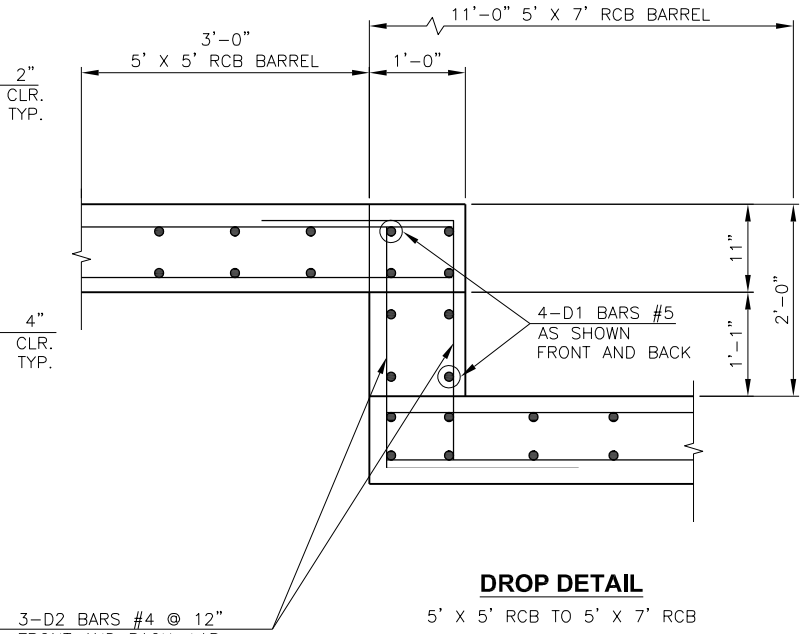
DROP SECTION BAR LIST				
MARK	SIZE	NO.	FORM	LENGTH
D1	#5	8	STR	6'-4"
D2	#4	6	BNT	4'-2"

STRUCTURE 54 QUANTITIES						
STRUCTURE	STANDARD	REINF. STEEL (LBS)	CLASS A (CY)	STR. EXC. (CY)	UNC. EXC. (CY)	CLSM (CY)
NORTH END TREATMENT	RCB1H-1 DES. 15	480.00	5.90			
NORTH BARREL	RCB1-1 DES. 10	905.00	7.00			
NORTH CURTAIN WALL		401.00	3.30			
SOUTH END TREATMENT	RCB1H-1 DES. 23	722.00	10.40			
SOUTH BARREL	RCB1-1 DES. 10 (3')	286.00	2.20			
SOUTH BARREL	RCB1-1 DES. 12 (11')	1,576.00	10.70			
2' DROP	SEE DETAILS THIS SHEET	70.00	0.50			
SOUTH CURTAIN WALL		560.00	5.00			
TOTALS		5,000.00	45.00	10*	76*	10**

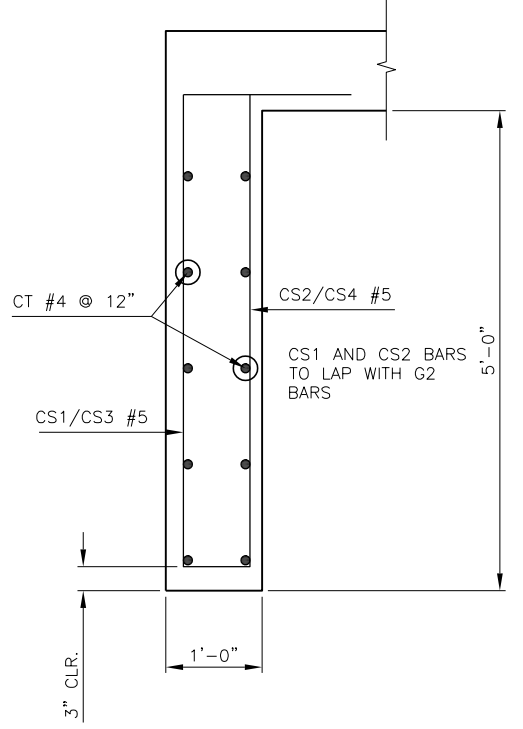
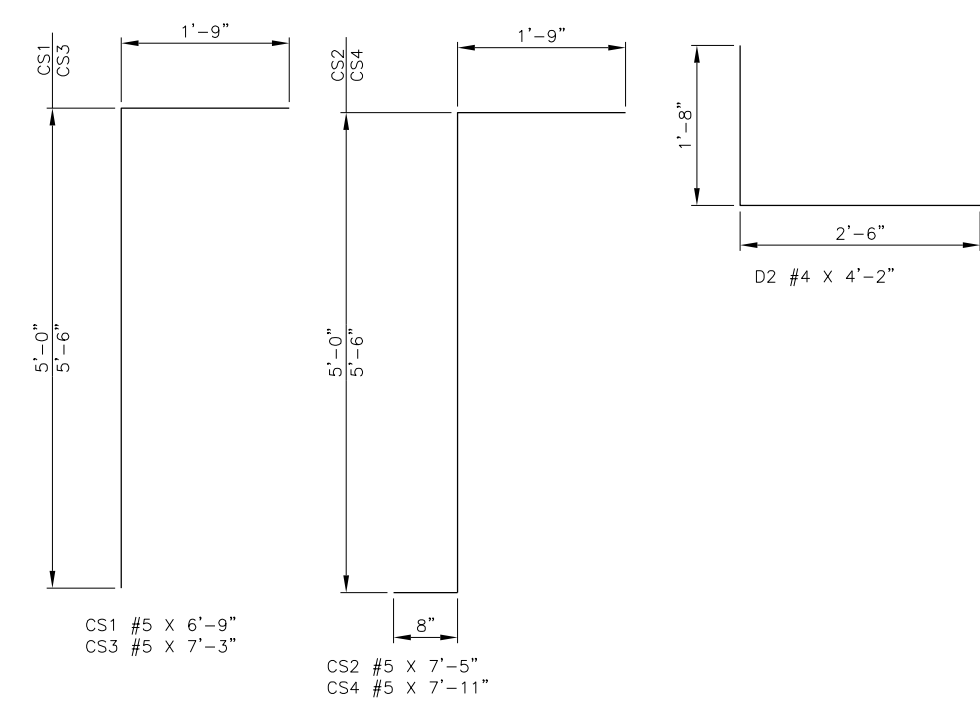
*EXCAVATION QUANTITIES ARE TOTALS FOR THE ENTIRE STRUCTURE. END TREATMENT QUANTITIES INCLUDE WINGS, CURB AND APRON.
 **TO BE USED AS DIRECTED BY ENGINEER IF VOIDS ARE ENCOUNTERED BENEATH EXISTING STRUCTURE.



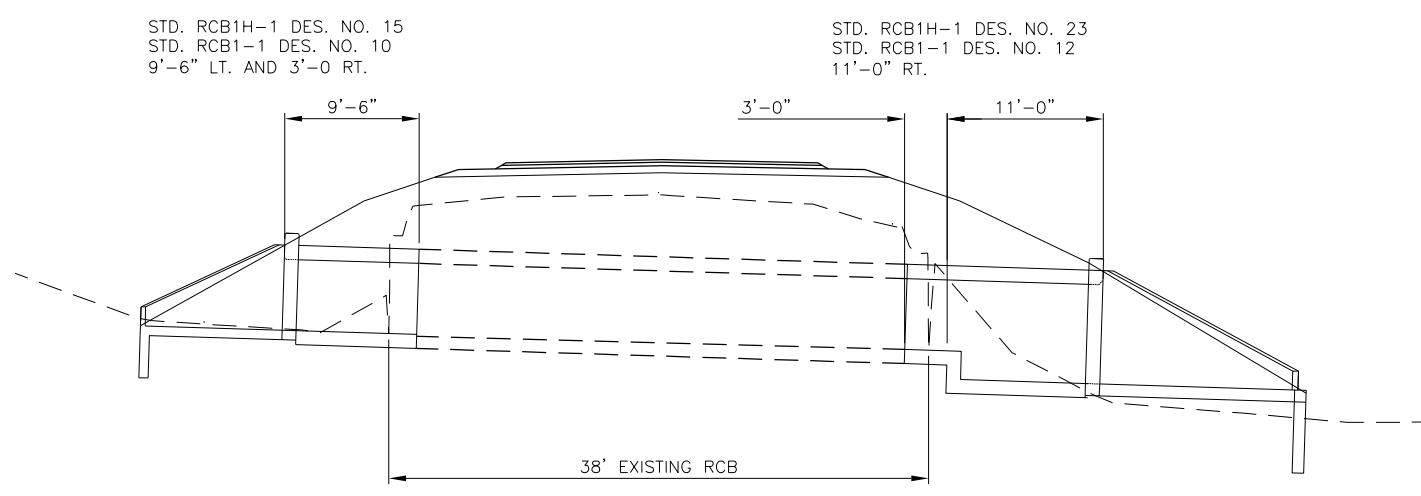
BARREL SECTION
5' X 5' RCB TO 5' X 7' RCB



DROP DETAIL
5' X 5' RCB TO 5' X 7' RCB



TYPICAL SECTION THROUGH 5' CURTAIN WALL



STRUCTURE CROSS SECTION

STR NO. 54 STA 389+08.87 EXTEND 5' X 5' RCB
 CONST. 9.5' LT. & 14' RT. W/2' DROP AND 5' CURTAIN WALLS LT. & RT.
 RCB1H-1 DES. 15 LT. & 23 RT.,
 RCB1-1, DES 10 LT. & 12 RT., RCB3-1

FILENAME: STR 54 DETAIL SHEET.DWG

DESIGN	D.L.P.	OSWALT ROAD	LOVE COUNTY
DRAWN	E.L.S. 6/11/14	STRUCTURE 54 DROP DETAILS	
CHECKED	D.L.P.		
APPROV.	D.E.S.		
SQUAD	C.E.C.		
		JOB PIECE NO. 25447(04)	SHEET NO. B007